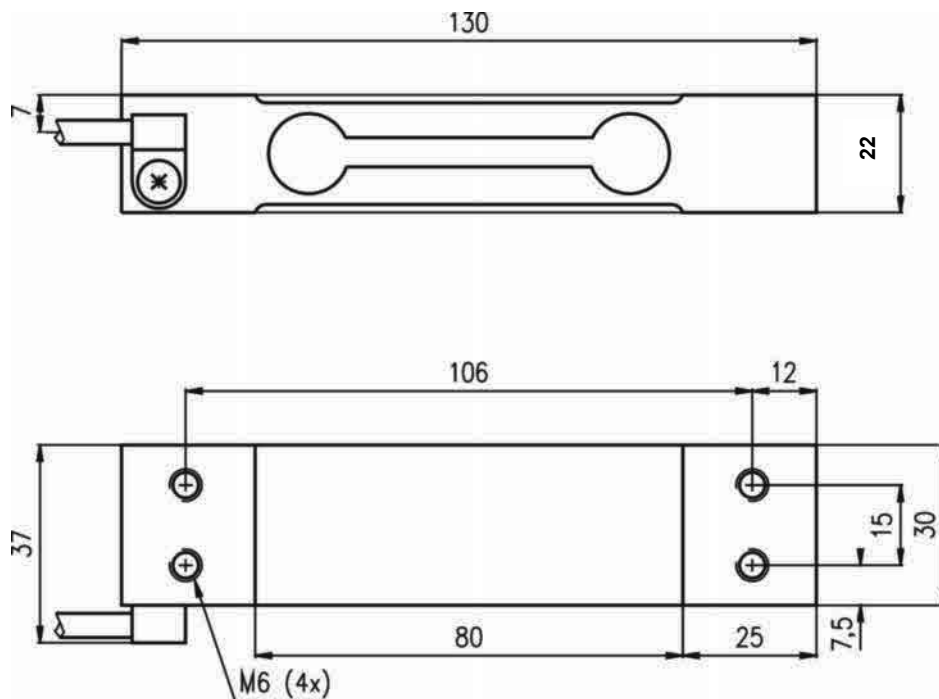


Series KM300

- Capacity 0..60N, 0..350N, 0..1,2/2kN (auf Anfrage)
- ZCalibration either in tension or compression
- Loadcell Aluminium
- Compact design
- Protection Class IP65
- Off center Load Error 0,02%/mm
- Low installation depth



Dimensional Drawing



Series KM300

Technical Data	
Capacity (0 to ...)	60 / 100 / 150 / 200 / 300 / 350 / 1200** / 2000** N
Operating Overload	150 % F.S.
Safe Overload	200 % F.S.
Ultimate Overload	> 300 % F.S.
Rated Output	2 mV/V
Rated Output Tolerance	10 % F.S.
Zero Balance	3 % F.S.
Non-Linearity	0,03 % F.S.
Hysteresis	0,03 % F.S.
Creep (30 min.)	0,03 % F.S.
Total Error *	0,06 % F.S.
Non-Repeatability	0,03 % F.S.
Temp.Effect on Zero	0,02 % F.S./10K
Temp.Effect on Output	0,02 % F.S./10
Dynamic Load Capacity	70 % F.S.
Fullscale Deflection	0,2 mm
Legend:	*) Hysteresis included
	**) special dimensions on request
	All above values in %F.S. < = ± values
	Calibration protocol not included

Mechanical Data	
Measuring Method	Foil Strain Gage Full Bridge
Material Loadcell	Aluminium Alloy

Ambient Conditions	
Compensated Temperature	-10 ... +40° C
Operating Temperature	-10 ... +60° C
Storage Temperature	-10 ... +70° C
Protection Class	IP65

Electrical Data	
Input Impedance	410 ± 20 Ω
Output Impedance	350 ± 5 Ω
Insulation	> 5000 MΩ
Recommended Excitation	10 VDC typ. / 15 VDC max.
Cable Size	4-wire, shielded, 35 cm

Series KM300

Electrical Connection

Wiring	
red	Excitation +
black	Excitation -
green	Signal +
white	Signal -
Shield	n.c.

Order Code

Series	Connection	Capacity	Signal Version	Accessories
KM300	K	100N	0000	External Amplifiers <ul style="list-style-type: none">• IMA2-DMS
Series KM300, 35 cm cable, capacity 100N, without amplifier				

14.12.2016. All specifications are subject to change without notice.