

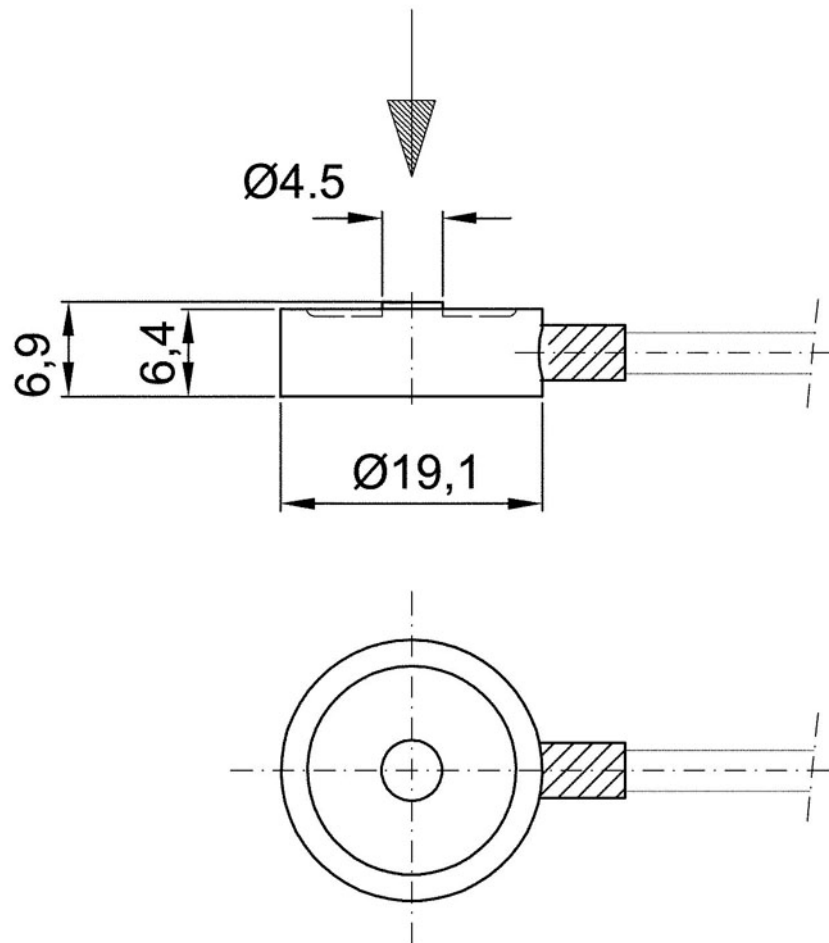
## Series KMB19

- Capacity from 0...100N to 0...4kN
- Calibration in compression
- Loadcell: 100N Aluminium / 200N Steel
- Protection class IP65

The series KMB19 is a miniature force transducer, developed for applications with smallest installation space. The housing shape is independent from capacity. By its protection type IP65 the KMB19 is also applicable in industrial environs.



## Dimensional Drawing



## Series KMB19

### Technical Data

Capacity (0 to ...)	100; 200; 400; 1000; 4000 N
Operating Overload	120%F.S.
Safe Overload	150%F.S.
Ultimate Overload	> 200 F.S.
Rated Output	2 mV/V
Rated Output Tolerance	10%F.S.
Zero Balance	3%F.S.
Non-Linearity	0,8%F.S.
Hysteresis	0,8%F.S.
Creep (30 min.)	0,2%F.S.
Total Error *	2%F.S.
Non-Repeatability	0,8%F.S.
Temp.Effect on Zero	0,2%F.S./10K
Temp.Effect on Output	0,5%F.S./10K
Legend:	*) = Hysteresis included All above values in %F.S. < = ± values

### Mechanical Data

Measuring Method	Foil Strain Gage Full Bridge
Material Loadcell	100 N = Aluminium / ab 200 N = stainless Steel

### Ambient Conditions

Compensated Temperature	-10 ... +40° C
Operating Temperature	-20 ... +60° C
Protection Class	IP 65

### Electrical Data

Input Impedance	350 ± 30 Ω]
Output Impedance	350 ± 3 Ω]
Insulation	> 2000 MΩ]
Recommended Excitation	5 VDC typ., 7 VDC max.
Cable Size	4- 5-wire shielded, 2m

# Series KMB19

## Signal Versions

	Supply	Signal
0000 without amplifier	5 V	10 mV $\pm$ 20%

## Electrical Connection

Wiring	0000
black	Excitation -
red	Excitation +
green	Signal +
white	Signal -
Shield	n. c.

## Order Code

Order Code						Accessories
<b>Series</b>	<b>KMB19</b>					<b>External Amplifiers</b> <ul style="list-style-type: none"> <li>• EMA3-DMS / EMA3-2DMS</li> <li>• IPG-DMS / IPG-2DMS</li> <li>• SI-DMS</li> <li>• IMA2-DMS</li> </ul>
<b>Capacity</b>		<b>100N</b>				
		<b>200N</b>				
		<b>400N</b>				
		<b>1KN</b>				
		<b>2KN</b>				
<b>Connection</b>			<b>K</b>			<b>Displays</b> <ul style="list-style-type: none"> <li>• DH28-DMS</li> <li>• Modig</li> </ul>
<b>Amplifier</b>				<b>0000</b>		
<b>Force Direction</b>					<b>D</b>	

The specifications and information in this datasheet cannot consider all special demands that are caused by the application. Because of this, they are no general description of the properties of the product.

19.02.2015 All specifications are subject to change without

short-term stock types can be found on: <http://www.megatron.de/en/stocklists/load-cells/lagerliste.html>

bold print = standard option

(\*) = on request available for projects